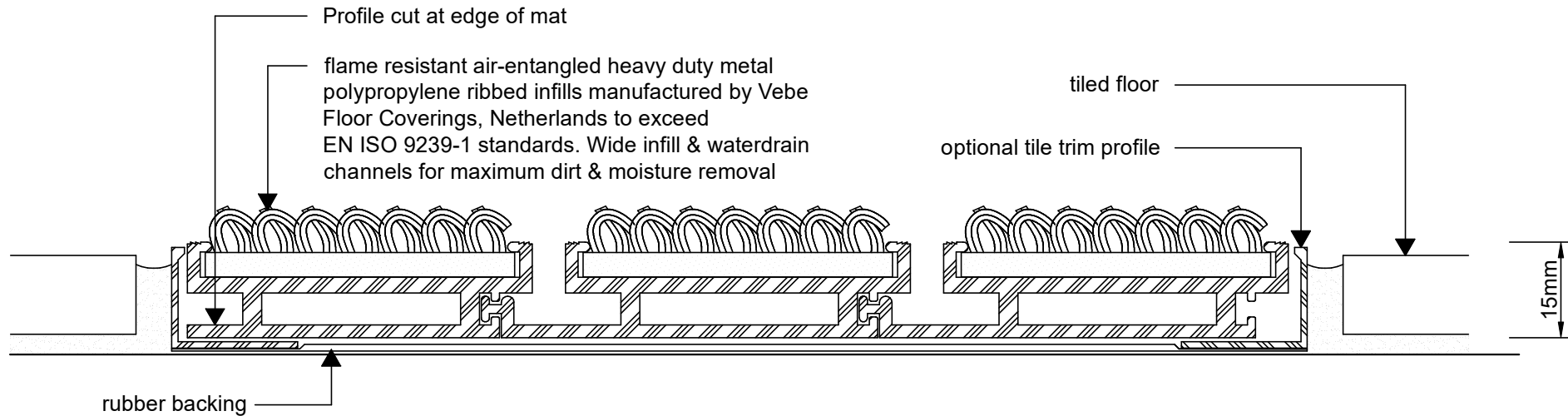


INSTALLATION:

Rigid assembled mat usually requires screw fixing. Floor surfaces must be level. If fixing is required, the infill can be lifted at an edge to allow a screw fix, after which the infill can be replaced. Pressure sensitive adhesive will not require re-application. Optionally, velcro strips may be used to hold mat in position for easy removal for off-site cleaning & replacement.



SPECIFICATION:

Entrance matting shall be ALUMAT 15 WD with selected loop pile infill.

Infill colour shall be _____.

Matting must be installed on a smooth level base surface to increase mat life and performance.

Aluminium - Exterior grade 6063T5 alloy aluminium with 15 micron anodising



ALUMAT FLOORING SOLUTIONS
P.O. Box 89 018, Torbay, Auckland 0742
Ph.: 09 473-1602 Fax: 09 473-8406
E-mail: info@alumat.co.nz Web: alumat.co.nz

©2017 The copyright of this document is owned by Probett Developments Ltd

ALUMAT 15 WD

INSTALLATION DETAILS

Revision: 1

Scale: 1:1